

1000 Series 1006TAG Diesel Engine – ElectropaK

134 kWm 1500 rev/min
147 kWm 1800 rev/min

The Perkins 1000 Series family of ElectropaK engines are renowned throughout the power generation industry for their superior performance and reliability.

The 1006TAG is a turbocharged, 6 cylinder, 6 litre engine. Its premium design features provide economic and durable operation offering the ideal characteristics for electrical power generation.

Economic power

- Single side servicing for reduced service time and cost
- Unique Fastram combustion system enables high power output plus low fuel consumption
- Electronic governor gives close control and means that the rated speed can be set at site to either 1500 rpm or 1800 rpm allowing standard builds to operate at either 50 Hz or 60 Hz

Clean, efficient power

- Operator and environmentally friendly with low noise, rapid startability and low emissions

Durable power

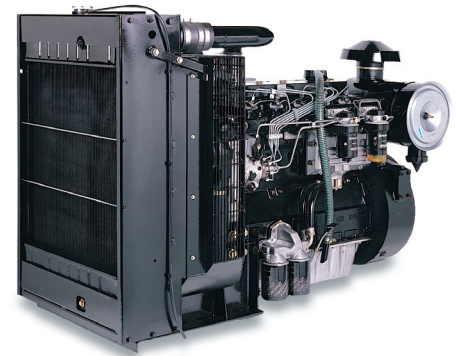
- Maximum cooling efficiency is provided by a gear driven water pump and independent fan drive
- Leak free operation is ensured by Viton crankshaft seals and sophisticated controlled swell joints, giving protection in the toughest conditions
- Inserted valve seats, oil spray cooled pistons and compact plate cooler give enhanced engine life

Reliable power

- Suitable for operation in ambient temperatures up to 52°C (46°C if a canopy is fitted)
- Fuelled starting aid for temperatures down to -20°C

Product support

- With highly trained Perkins distributors in thousands of communities in over 180 countries, you are never far away from expert product knowledge, genuine parts and a range of advanced diagnostic technology for keeping your engine in peak condition
- **Warranties and Service Contracts**
We provide one-year warranties for constant speed engines and two-year warranties for variable speed models, as standard. These are supported by multilevel Extended Service Contracts that can be bought additionally



Discover more

www.perkins.com
www.tier4air.com
www.perkins.com/esc

www.perkins.com/distributor

[To find your local distributor](#)

Engine Speed (rev/min)	Type of Operation	Typical Generator Output (Net)		Engine Power			
				Gross		Net	
		kVA	kWe	kWm	hp	kWm	hp
1500	Prime Power	135	108	128	171	121	162
	Standby Power	150	120	141	187	134	179
1800	Prime Power	148	118	144	193	134	179
	Standby Power	163	130	158	212	147	197

All ratings data based on operating under ISO/TR 14396/ISO 8528 conditions using typical fan sizes and drive ratios. For operation outside of these conditions please consult your Perkins contact. Performance tolerance quoted by Perkins is +5%. Electrical ratings assume a power factor of 0.8 and a generator efficiency of 90%. Fuel specification: BS 2869 Part 2 1998 Class A2 or ASTM D975 D2. Lubrication oil: A single or multigrade oil to ACEA/E1 E2 or API CD/SD.

Rating Definitions

Prime Power: Power available at variable load in lieu of main power network. An overload of 10% is permitted for 1 hour in every 12 hours of operation.
Standby Power: Power available at variable load in the event of a main power network failure. No overload is permitted.

Photographs are for illustrative purposes only and may not reflect final specification.

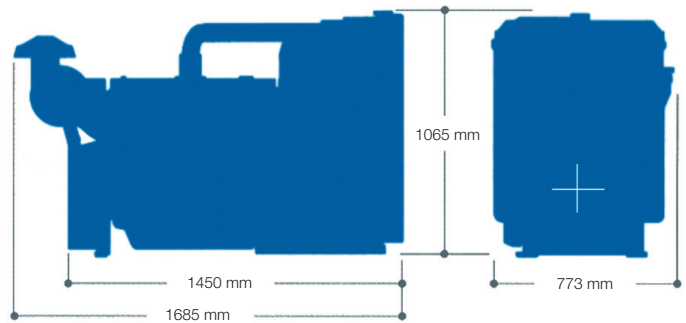
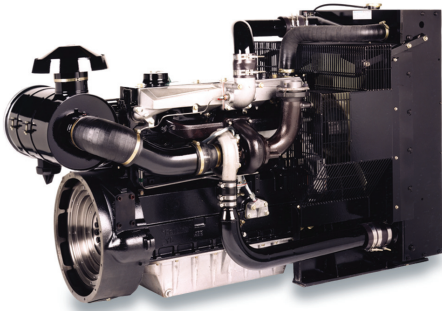
All information in this document is substantially correct at time of printing and may be altered subsequently.
Publication No. PN1578/02/13 Produced in England ©2012 Perkins Engines Company Limited

 **Perkins**[®]

THE HEART OF EVERY GREAT MACHINE

1000 Series 1006TAG Diesel Engine – Electropak

134 kWm 1500 rev/min
147 kWm 1800 rev/min



Standard Electropak specification

Air inlet

- Mounted air filter and turbocharger

Fuel system

- Rotary fuel injection pump
- Mechanical governing conforms to ISO 8528-5 1993(E) Class G2, ISO 3046-4M3
- Spin-on full flow fuel oil filters and pre-filter

Lubrication system

- Flat bottomed aluminium sump
- Spin-on full flow oil filters
- Oil cooler

Cooling system

- Thermostat controlled cooling system with gear driven water pump
- 25" belt-driven pusher fan and guards
- Radiator incorporating air-to-air charge cooler and piping

Electrical system

- 12 volt starter motor and 55 amp alternator with DC output
- 12 volt oil Pressure and coolant temperature switches
- 12 volt shut down solenoid – energised to run cold start aid

Flywheel and housing

- High inertia flywheel to SAE J620 size 11.5

Mountings

- Front engine mounting bracket

Optional equipment

- 24 volt alternator
- 24 volt starter motor
- Water temperature gauge and sender
- Heater/Starter switch
- Rear engine mountings
- Workshop manual
- Parts book

Engine Speed	Fuel Consumption			
	1500 rev/min		1800 rev/min	
	g/kWh	l/hr	g/kWh	l/hr
Standby	7.6	34.6	9.1	41.3
Prime Power	6.9	31.5	8.3	37.6
75% of Prime Power	5.3	24.1	6.4	28.9
50% of Prime Power	3.5	16.5	4.3	19.4

General data

Number of cylinders	6
Cylinder arrangement	Vertical in-line
Cycle.....	4 stroke
Induction system	Turbocharged, air-to-air aftercooled
Combustion system.....	Direct injection
Cooling system.....	Water-cooled
Bore and stroke.....	100 x 127 mm (3.9 x 5 in)
Displacement	5.99 litres (365.5 cu in)
Compression ratio	17.0:1
Direction of rotation	Anti-Clockwise, viewed on the flywheel
Total lubrication system capacity.....	19.0 litres (5 US gals)
Coolant capacity (inc. radiator).....	37.22 litres (9.8 US gals)
Dimensions – Length	1685 mm (66.3 in)
Width	773 mm (30.4 in)
Height	1065 mm (41.9 in)
Total weight (dry).....	690 kg (1521 lb)

Overall dimensions and weight will depend on final specification

Photographs are for illustrative purposes only and may not reflect final specification.

All information in this document is substantially correct at time of printing and may be altered subsequently.
Publication No. PN1578/02/13 Produced in England
©2012 Perkins Engines Company Limited

Perkins Engines Company Limited

Peterborough PE1 5FQ
United Kingdom
Telephone +44 (0)1733 583000
Fax +44 (0)1733 582240

www.perkins.com



THE HEART OF EVERY GREAT MACHINE